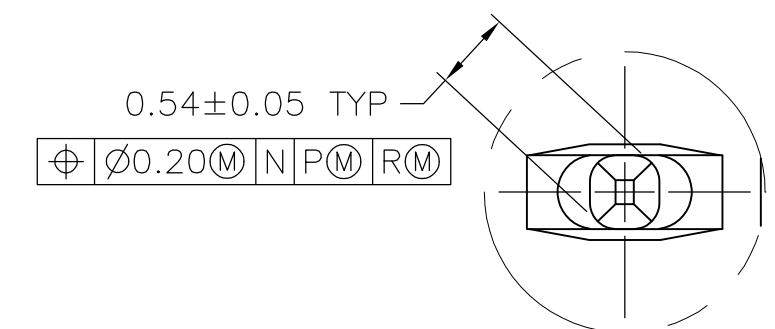
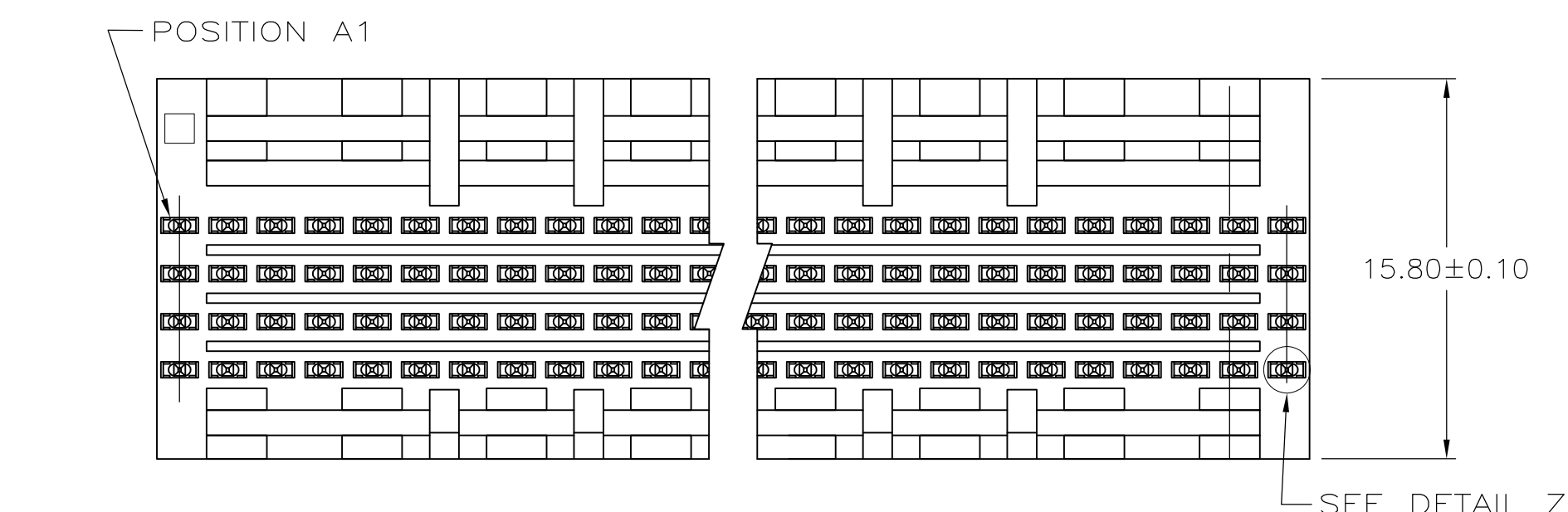
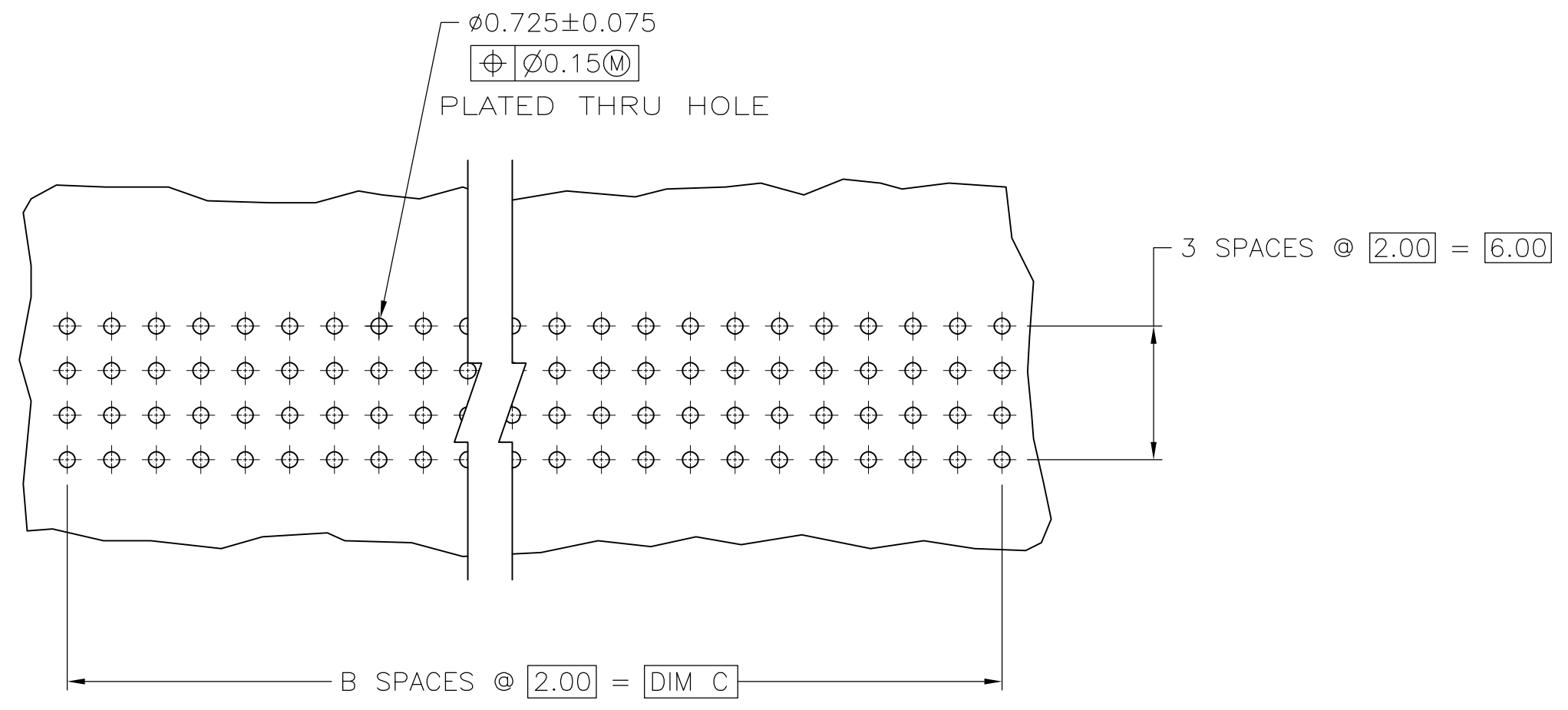
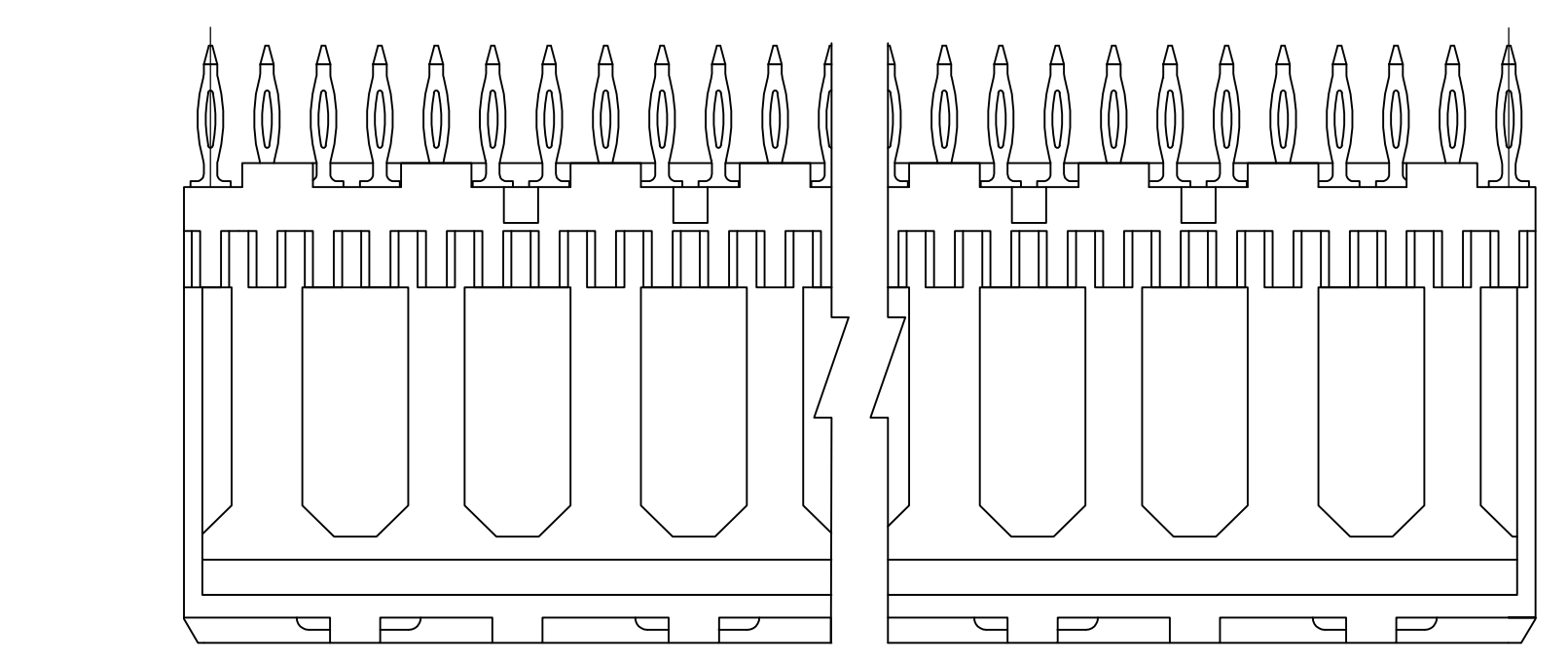


- 1 HOUSING MATERIAL: LIQUID CRYSTAL POLYMER PER ASTM D5138 LCP000 G30A 32250.
- 2 CONTACT MATERIAL: PHOSPHOR BRONZE.
- 3 CONTACT FINISH:
 UNDERPLATE (ENTIRE CONTACT):
 0.00127 MIN NICKEL PER SAE-AMS-QQ-N-290.
 ON MATING SURFACES:
 CONFORMS TO ALL TESTING SPECIFIED FOR TELCORDIA UNCONTROLLED ENVIRONMENT.
 ON LEADS:
 0.0006 MIN TIN PER ASTM B 545 OVER UNDERPLATE.
 LUBRICATION (MIN MATING SURFACES):
 SURFACE CONDITIONER AFTER PLATING.
- 4 PART MARKING, LOCATED APPROXIMATELY AS SHOWN.
- 5 DIMENSION APPLIES WHEN SEATED ON PRINTED CIRCUIT BOARD.
- 6 OBSOLETE PARTS: OBSOLETE CIS STREAMLINING PER D.RENAUD/D.SINISI



DETAIL Z
SCALE 20:1



RECOMMENDED CIRCUIT PATTERN
PER IPC-D300 TYPE II, CLASS C
(COMPONENT SIDE)

| OBSOLETE | D | C | B | A | FINISH | NO OF POSN | PART NUMBER |
|----------|------|-------|----|-------|--------|------------|-------------|
| 6 | 4.25 | 58.00 | 29 | 59.88 | 3 | 120 | 5536514-6 |
| | 4.25 | 72.00 | 35 | 71.88 | 3 | 144 | 5536514-5 |
| | 4.25 | 94.00 | 47 | 95.88 | 3 | 192 | 5536514-4 |
| | 4.25 | 46.00 | 23 | 47.88 | 3 | 96 | 5536514-3 |
| | 4.25 | 22.00 | 11 | 23.88 | 3 | 48 | 5536514-2 |
| | 4.25 | 10.00 | 5 | 11.88 | 3 | 24 | 5536514-1 |

| | | | | | |
|--|--------|--|----------------------------|--|--|
| THIS DRAWING IS A CONTROLLED DOCUMENT. | | DWN B. MCMASTER 31AUG04 | DRW R. WERTZ 31AUG04 | STE TE Connectivity | |
| DIMENSIONS: mm | | TOLERANCES UNLESS OTHERWISE SPECIFIED: | | NAME PIN ASSEMBLY, SIGNAL MODULE, Z-PACK 2mm FB | |
| 0 PLC | ± - | APVD R. WERTZ 31AUG04 | | PRODUCT SPEC | |
| 2 PLC | ± - | APPLICATION SPEC | | 2mm, 4 ROW, 5.00 mm MATING LENGTH | |
| 3 PLC | ± 0.13 | MATERIAL | | PRESS FIT LEAD | |
| 4 PLC | ± - | FINISH | | SIZE CAGE CODE DRAWING NO | |
| ANGLES | ± - | WEIGHT | | A1 00779 C=5536514 | |
| MATERIAL | | FINISH | | RESTRICTED TO | |
| 1 2 3 | | CUSTOMER DRAWING | | SCALE 4:1 SHEET 1 OF 1 REV P | |